

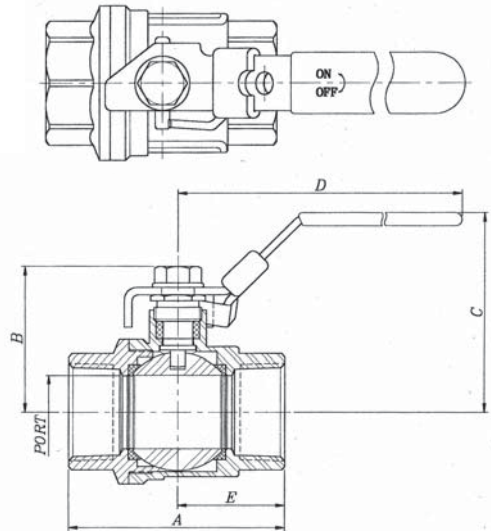
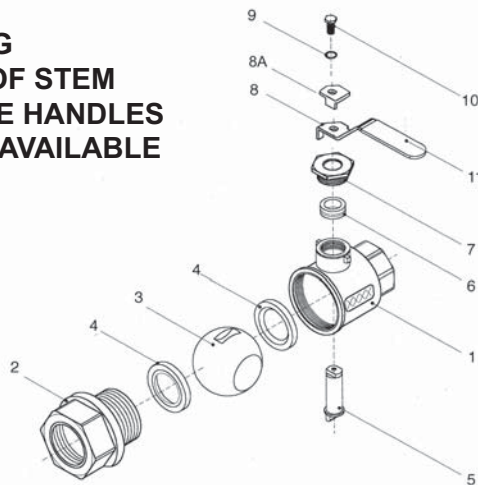
SHARPE[®] VALVES



**SERIES 10
BRASS FULL PORT
BALL VALVE**

SERIES 10 BRASS FULL PORT BALL VALVE

1/4" - 4" 600 WOG
 BLOWOUT PROOF STEM
 LOCKING DEVICE HANDLES
 OVAL HANDLES AVAILABLE

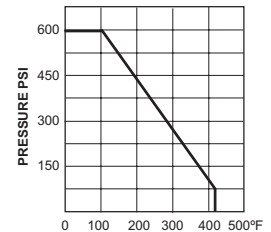


VALVE PARTS AND IDENTIFICATION

PART NO.	PART	QTY.	MATERIAL
1	Body	1	Forged Brass
2	Cap	1	Forged Brass
3	Ball	1	Forged Brass
4	Ball Seat	2	PTFE
5	Stem	1	Brass
6	Stem Packing	1	PTFE
7	Gland Packing	1	Brass
8	Handle	1	Galvanized Steel
8A	Locking Device	1	Galvanized Steel
9	Handle Washer	1	Steel
10	Handle Bolt	1	Steel
11	Handle Sleeve	1	Plastic

DIMENSIONS

SIZE	A	B	C	D	E	PORT	WEIGHT
1/4"	1.70	1.38	1.97	3.75	0.85	0.33	0.3
3/8"	1.70	1.38	1.97	3.75	0.85	0.33	0.3
1/2"	2.20	1.58	2.17	3.75	1.10	0.57	0.5
3/4"	2.36	1.77	2.36	3.98	1.20	0.75	0.7
1"	2.88	2.00	2.64	4.53	1.44	1.00	1.1
1-1/4"	3.30	2.37	3.35	5.12	1.65	1.25	1.8
1-1/2"	3.70	2.75	3.55	6.30	1.85	1.50	2.9
2"	4.35	3.23	3.94	6.30	2.17	2.00	4.8
2-1/2"	5.50	3.94	5.10	8.67	2.75	2.50	9.2
3"	6.25	4.45	5.70	8.67	3.11	3.00	13.8
4"	7.40	5.32	6.50	8.67	3.70	4.00	21.8



*See Dimensions

HOW TO ORDER

VALVE SIZE	VALVE SERIES	BODY & END PLUG	BALL & STEM	SEAT	ENDS
1/4" 3/8" 1/2" 3/4" 1" 1-1/4" 1-1/2" 2" 2-1/2" 3" 4"	10	1 = Brass	1 = Brass	T = Teflon	TE = Threaded

3/4" 10 1 1 T TE

SHARPE VALVES

A DIVISION OF **Sharon** PIPING & EQUIP. INC.

Toll-Free 1-877-7SHARPE
 E-Mail: sharpediv@aol.com
www.sharpevalves.com

504 West Wrightwood Ave.
 Elmhurst, IL 60126

Due to continuous development of our product range we reserve the right to change the dimensions and information contained in the leaflet as required.
 Teflon® is a registered trademark of E.I. DuPont.