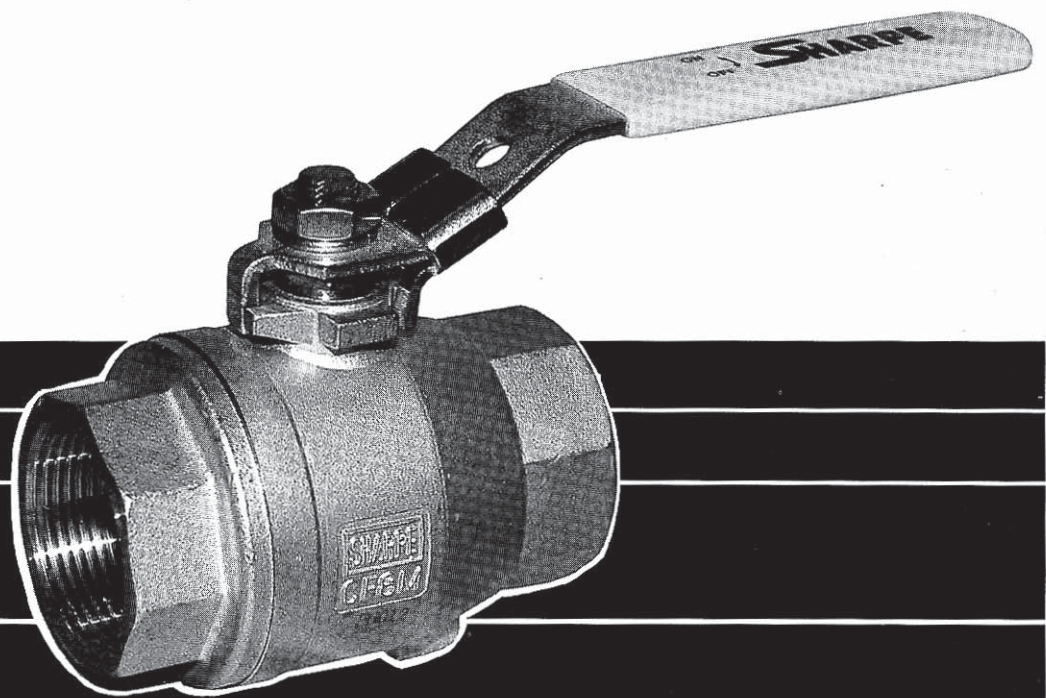


SHARPE[®] VALVES

S T A I N L E S S S T E E L

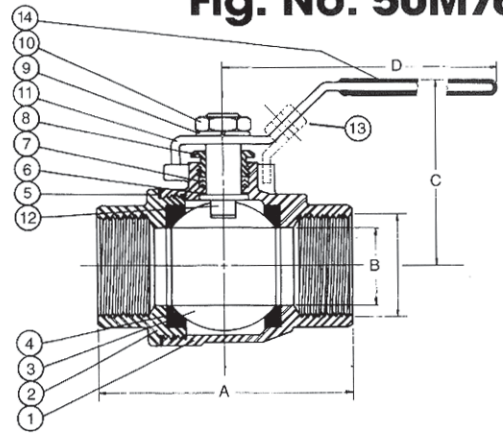


**50M76
THREADED FULL PORT
BALL VALVE**

Threaded Full Port Ball Valve

**CLASS 1000 WOG
ASTMA-351
BLOWOUT PROOF STEM
LOCKING DEVICE AND
OVAL HANDLE OPTIONAL**

Fig. No. 50M76

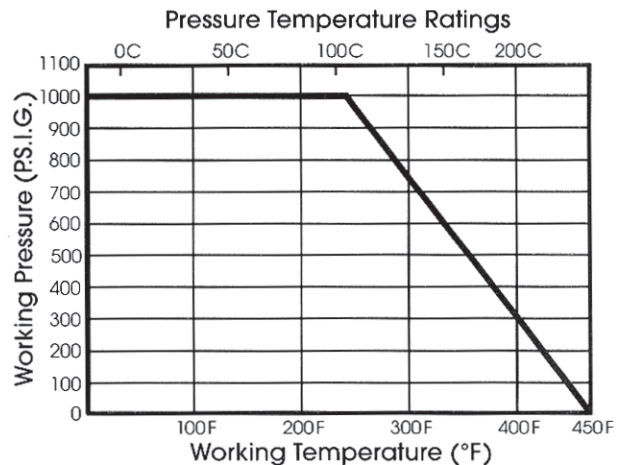


PART NAME	MATERIAL
1 Body	CF8M
2 Cap	CF8M
3 Ball	SST. 316
4 Seat	R.TFE
5 Joint Gasket	PTFE
6 Thrust Washer	PTFE
7 Stem Packing	PTFE
8 Gland Nut	SST.304
9 Handle Washer	SST. 304
10 Handle Nut	SST. 304
11 Handle	SST. 304
12 Stem	SST. 316
13 Latch Lock	SST. 304
14 Cover	Plastic

DIMENSIONS IN INCHES				
Size/Dim	A	B	C	D
1/4	2.00	0.43	1.81	4.00
3/8	2.00	0.43	1.81	4.00
1/2	2.36	0.50	1.89	4.00
3/4	2.75	0.80	2.04	5.00
1	3.25	1.00	2.44	5.75
1-1/4	3.80	1.25	2.56	5.75
1-1/2	4.33	1.50	2.96	7.50
2	5.27	2.00	3.25	7.50
2-1/2	6.58	2.50	5.00	9.73
3	7.55	3.00	5.40	9.73

SIZE (INCHES)	APPROX. CV	WEIGHT (LBS)
1/4	6	0.5
3/8	6	0.5
1/2	24	0.6
3/4	35	1.1
1	47	2.00
1-1/4	81	3.00
1-1/2	105	4.85
2	241	8.00
2-1/2	319	14.00
3	580	20.00

CV-The volume of water in Gal./Min. that will pass through a given valve with a pressure drop of 1PSI.



SHARPE VALVES

A DIVISION OF **Shwon** SPRINGS & EQUIPMENT, INC.

Toll-Free 1-877-7SHARPE
E-Mail: sharpediv@aol.com
www.sharpevalves.com

504 West Wrightwood Ave.
Elmhurst, IL 60126