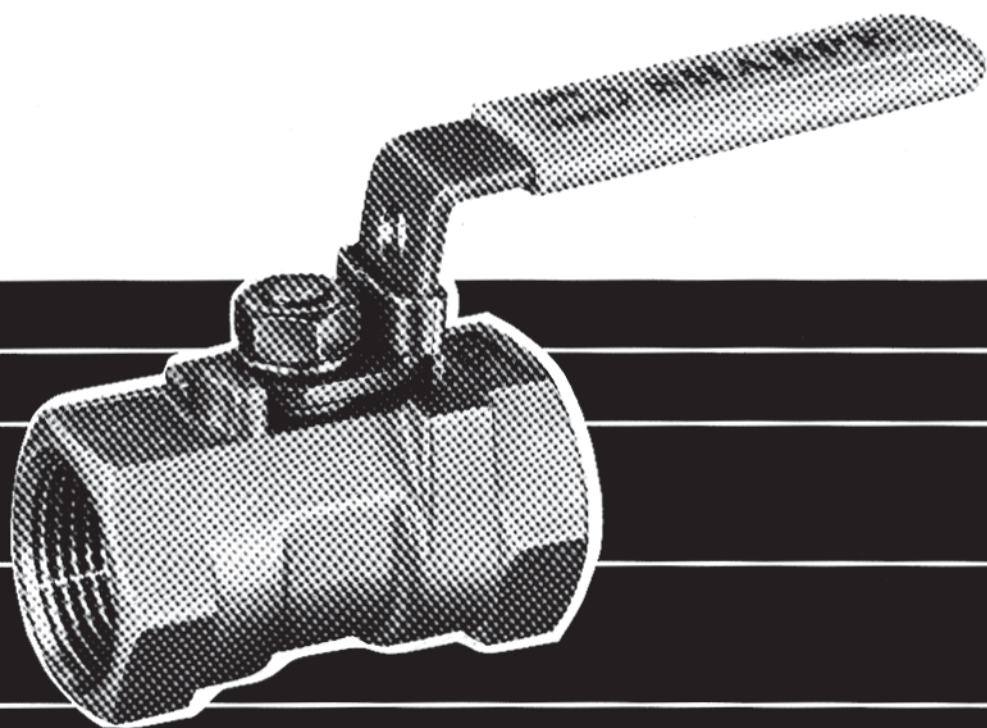


# **SHARPE<sup>®</sup> VALVES**

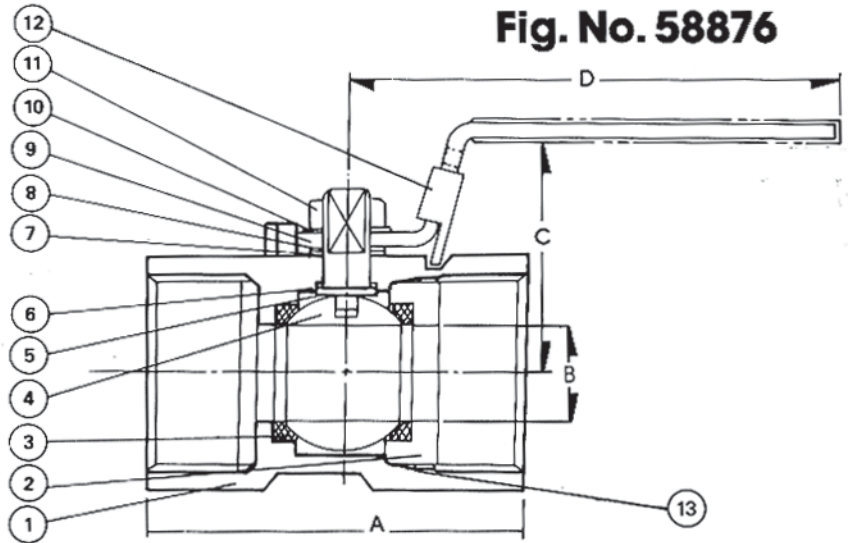
**S T A I N L E S S S T E E L**



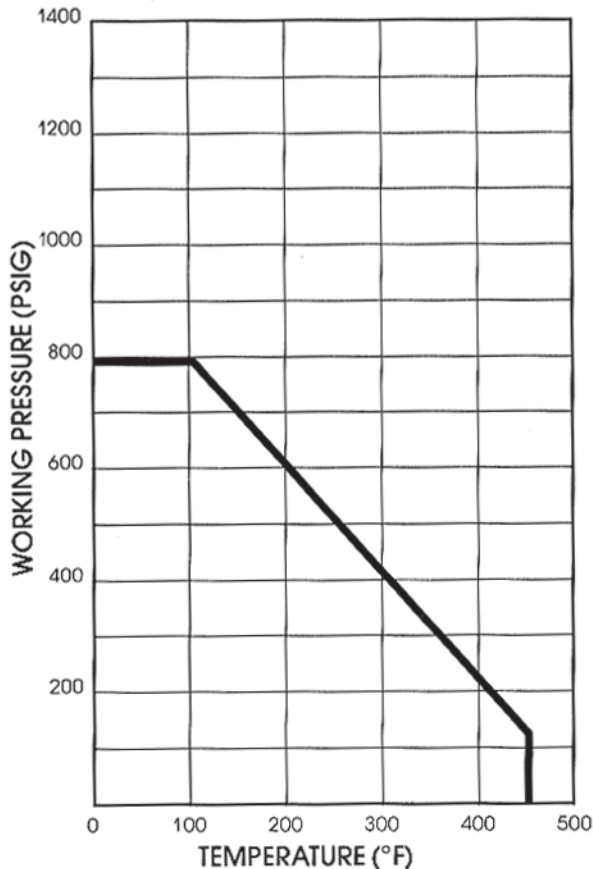
**THREADED REDUCED  
PORT BALL VALVE**

# Threaded Reduced Port Ball Valve

UNIBODY DESIGN  
 ASTM-351  
 800 WOG  
 BLOWOUT PROOF STEM  
 LOCKING DEVICE  
 THREADED ENDS



## PRESSURE/TEMPERATURE RATINGS



## MATERIALS

NO.	PART	MATERIAL
1	BODY	316 STAINLESS STEEL
2	SEAT RETAINER	316 STAINLESS STEEL
3	SEAT	P.T.F.E.
4	BALL	316 STAINLESS STEEL
5	STEM	316 STAINLESS STEEL
6	THRUST WASHER	P.T.F.E.
7	GLAND WASHER	P.T.F.E.
8	STEM WASHER	304 STAINLESS STEEL
9	HANDLE	304 STAINLESS STEEL/VINYL SLEEVE
10	SPRING WASHER	304 STAINLESS STEEL
11	STEM NUT	AISI 304
12	LOCKING DEVICE	AISI 304
13	BODY SEAL	P.T.F.E.

## DIMENSIONS

SIZE	A	B	C	D	APPROX. CV	WEIGHT LBS
¼	1.53	0.20	1.27	3.14	1.0	0.15
⅜	1.73	0.28	1.35	3.35	2.5	0.24
½	2.22	0.36	1.71	3.77	5.5	0.37
¾	2.28	0.50	1.85	3.77	10.0	0.55
1	2.80	0.63	2.16	3.97	15.5	0.95
1¼	3.07	0.78	2.38	3.97	20.0	1.53
1½	3.26	0.96	2.93	5.11	37.0	1.89
2	3.93	1.25	3.16	5.11	60.0	3.34

CV—The volume of water in Gal./Min. that will pass through a given valve with a pressure drop of 1 PSI.

# SHARPE VALVES

A DIVISION OF 

Toll-Free 1-877-7SHARPE  
 E-Mail: [sharpediv@aol.com](mailto:sharpediv@aol.com)  
[www.sharpevalves.com](http://www.sharpevalves.com)

504 West Wrightwood Ave.  
 Elmhurst, IL 60126