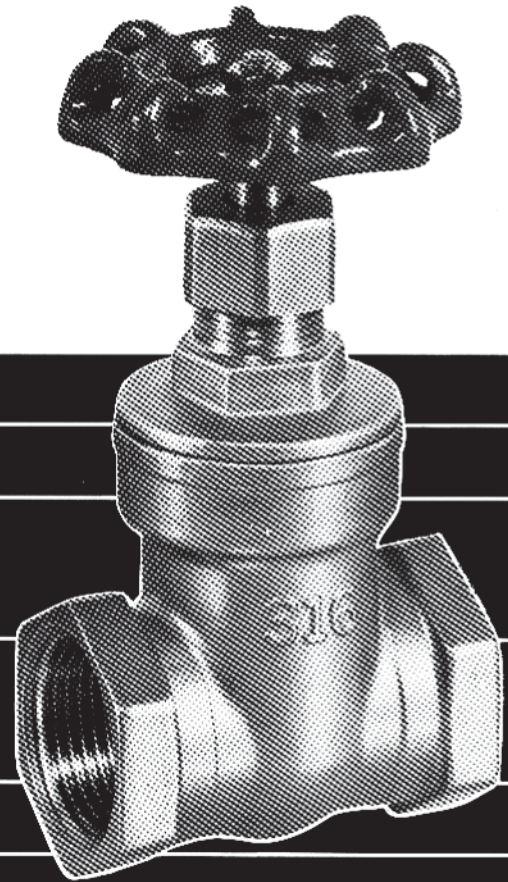


SHARPE[®] VALVES

S T A I N L E S S S T E E L



**THREADED
GATE VALVE**

Threaded Gate Valve

ASTM-A351

200 PSI WOG AT 350°F

INSIDE SCREW AND SCREWED BONNET

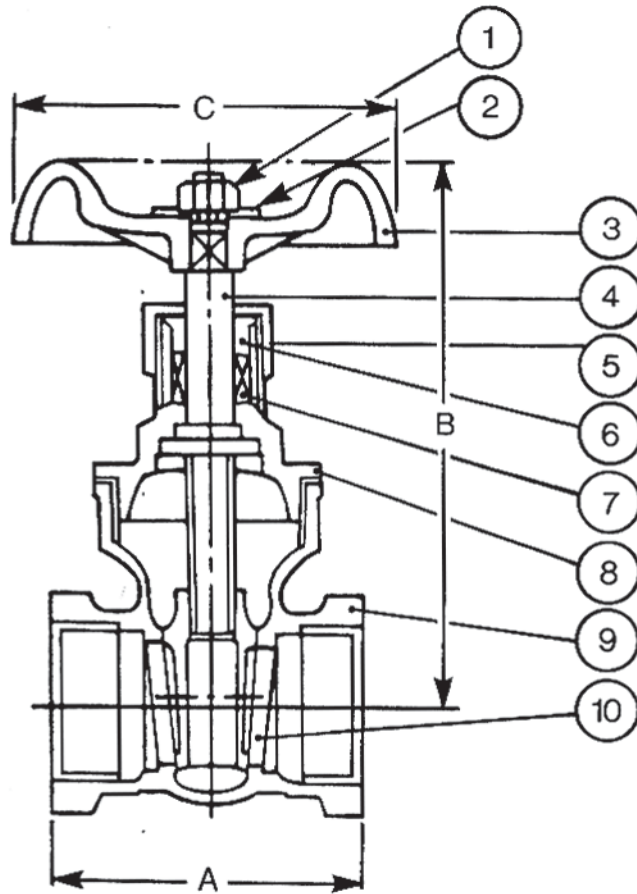
SOLID WEDGE DISC

NON RISING STEM

Fig. No. 30276

PART NAME	MATERIAL
1 Hand Wheel Nut	304
2 Name Plate	Aluminum
3 Hand Wheel	Mild Steel
4 Stem	316
5 Packing Nut	CF8M
6 Packing Gland	316
7 Packing	Teflon
8 Bonnet	CF8M
9 Body	CF8M
10 Disc	CF8M


Hydrostatic Shell Test	300 PSI
Hydrostatic Seat Test	220 PSI



DIMENSIONS IN INCHES

Size	1/2	3/4	1	1-1/4	1-1/2	2
A (End to End)	2.13	2.28	2.56	2.91	3.07	3.43
B (Height)	3.54	3.62	4.02	4.53	5.51	6.30
C	2.37	2.76	3.15	3.15	3.54	3.94
Weight (lbs)	0.77	1.28	1.38	1.98	2.68	4.00

SHARPE VALVES

A DIVISION OF 

Toll-Free 1-877-7SHARPE
E-Mail: sharpediv@aol.com
www.sharpevalves.com

504 West Wrightwood Ave.
Elmhurst, IL 60126