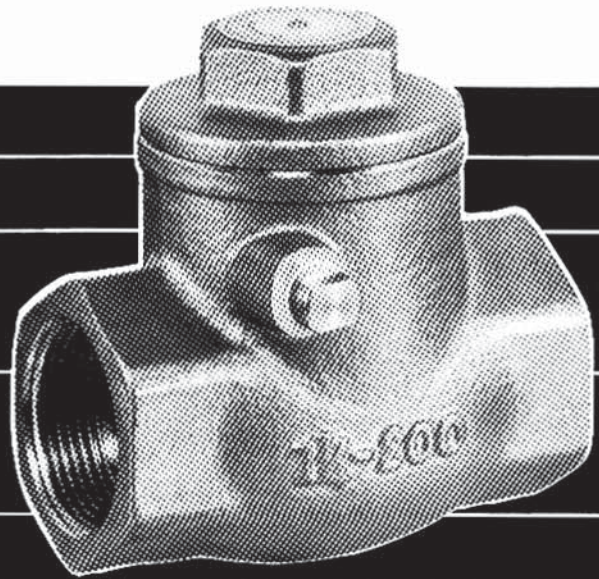


SHARPE[®] VALVES

S T A I N L E S S S T E E L



**THREADED
SWING CHECK VALVE**

Threaded Swing Check Valve

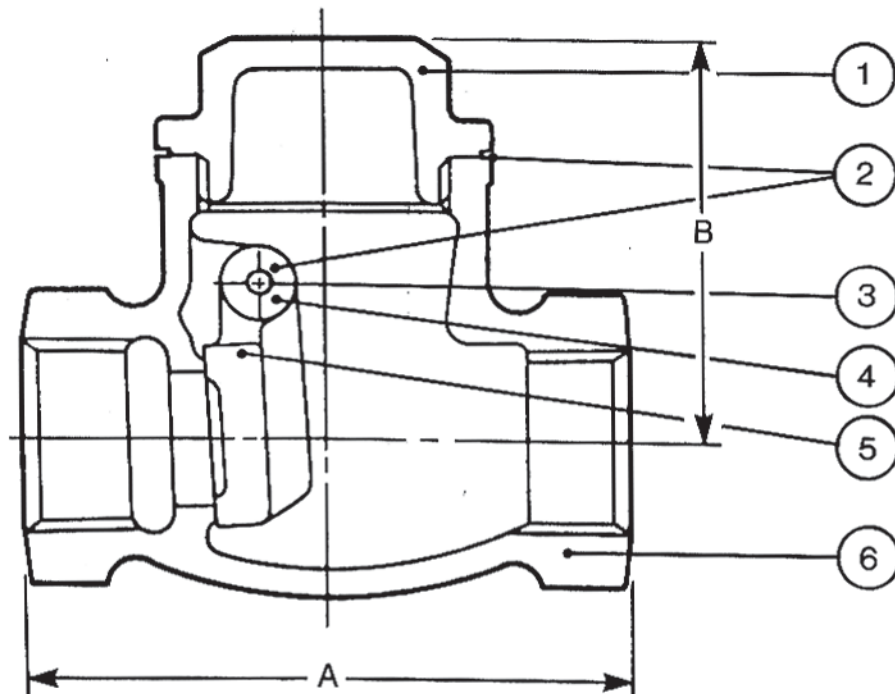
ASTM-A351

200 PSI WOG AT 350°F

SCREWED CAP

INTEGRAL SEATS

Fig. No. 20276




PART NAME	MATERIAL
1 Cover	CF8M
2 Gasket	Teflon
3 Pin	316
4 Nut	316
5 Disc	CF8M
6 Body	CF8M

DIMENSIONS IN INCHES

Size	1/4	3/8	1/2	3/4	1	1-1/4	1-1/2	2	2-1/2	3
A (End to End)	2.37	2.37	2.56	3.12	3.50	4.20	4.80	5.50	7.00	7.87
B (Height)	1.70	1.70	2.12	2.25	2.50	3.25	3.37	3.60	3.75	4.00

SHARPE® VALVES

A DIVISION OF  SHWON PIPE & FLOW, INC.

Toll-Free 1-877-7SHARPE
E-Mail: sharpediv@aol.com
www.sharpevalves.com

504 West Wrightwood Ave.
Elmhurst, IL 60126