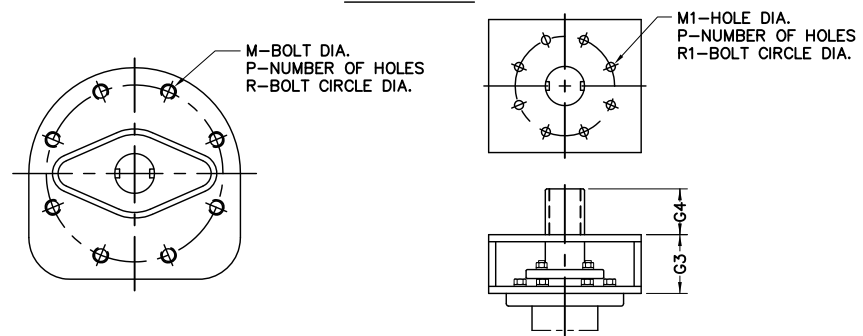


TOP WORKS



No.	Part Name
1	Body
2	Seat
3	Disc
4	Stem
5	Packing
6	Packing Gland
7	Gland Flange
8	Bush Bearing
9	Disc Pin
10	Cap Packing
11	Cap
12	Seat Retainer

Test Pressure(Psi-G) API 598		
Shell	Seat	Seat
2225	1650	-

SIZE (inch)	A	B	G1	G3	G4	E1	L1	L2	C	T	Flanged Drilling					TOP WORKS				KEY	Gear		
											Wafer		Flange			M	P	R	S		G2	X	øW
											N2	N2	N1	N2	H2								
20	19.82	19.69	10.63	5.91	4.72	30.32	8.50	13.78	28.50	1-5/8"X8UN	4	24	20	4	1-3/4	0.91	8	11.73	3.933	1.10 X 0.63	6.69	22.83	27.56
24	23.56	22.83	11.02	6.30	4.72	33.85	9.13	15.35	33.00	1-7/8"X8UN	4	24	16	8	2	0.91	8	11.73	3.933	1.10 X 0.63	6.69	22.83	27.56

NOTE.
 1. DESIGN : ANSI B16.34 & API 609
 2. FLANGE CONNECTION :
 ANSI B16.47 SERIES A CLASS 600
 (MSS SP-44 CLASS 600)
 3. FACE TO FACE DIMENSION :
 API 609 CATEGORY B

File No.	P600WLF20_24	Title	HIGH PERFORMANCE VALVE 600# WAFFER , LUGGED & FLANGED TYPE		
	Date of Issue		DO NOT SCALE	Date of Issue	2014-08-11
Rev.		DWG No.	600WLF03		
Drawn by	Kim,S,S	Checked by	Kim,S,S	Approved by	Choi,J,Y
Date					
Revision					
No.					



THE INFORMATION CONTAINED IN THIS DRAWING IS THE SOLE PROPERTY OF PRATT INDUSTRIAL. NO PART OR AS A WHOLE WITHOUT THE WRITTEN PERMISSION OF PRATT INDUSTRIAL IS PROHIBITED.