



# 2PC Full Bore Flanged End Ball Valves

## EC SERIES

Economical Contractor Design

*Models:*

F15 Class 150 / F30 Class 300

ISO 5211  
Mounting Holes



ANSI 150



ANSI 300

Sizes: 2" - 6"

Larger sizes available,  
consult factory

### DESIGN FEATURES:

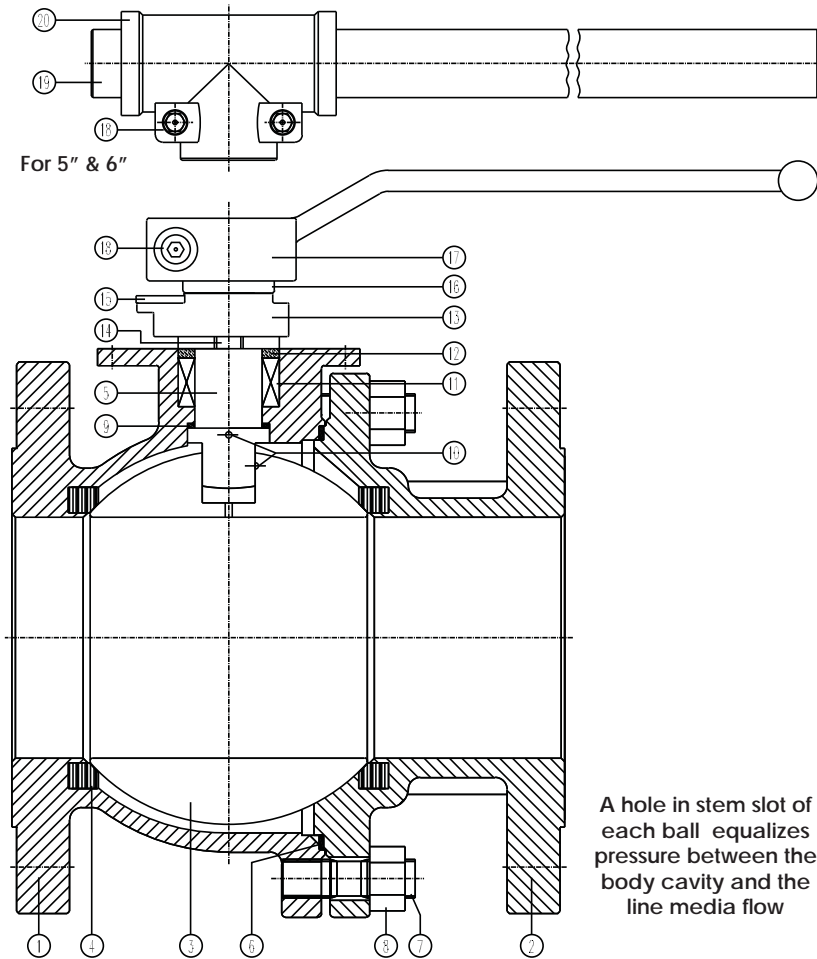
- |  |  |
|--|--|
| <ul style="list-style-type: none"> <li>• Floating Ball Design</li> <li>• Fire Safe Designed to API 607</li> <li>• Spiral Wound Body Gasket With Secondary Metal To Metal Seal</li> <li>• Open And Close Locking Device For Position Safety Lockout Standard On Sizes 2"- 8"</li> </ul> | <ul style="list-style-type: none"> <li>• ISO 5211 Actuator Mounting Pad Standard</li> <li>• Reinforced PTFE Seating</li> <li>• Anti-Static Grounding Device</li> <li>• Flatted Shaft For Positive Visual Indication of Flow</li> <li>• NACE MR0175 Complies</li> </ul> |
|--|--|

New Model Numbers Replace HF150/HF300

*Ideal Design for Commercial Process and Petrochemical Applications*

**DESIGN & TECHNICAL DATA**

*Valve Components*



A hole in stem slot of each ball equalizes pressure between the body cavity and the line media flow

**Standard Valve Model Numbers:**

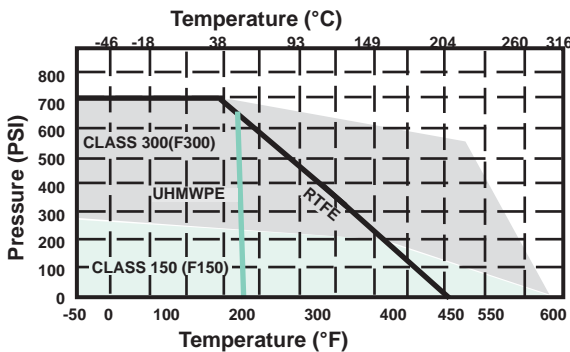
ANSI Class 150 = F15-CS-RGG-L  
ANSI Class 300 = F30-CS-RGG-L

If gear operator is required,

ANSI Class 150 = F15-CS-RGG-G  
ANSI Class 300 = F30-CS-RGG-G

For stainless steel & other alloys, see Tech Bulletin page 58

**PRESSURE & TEMPERATURE DATA**



Most additional seating materials are available, consult factory

**BILL OF MATERIALS:**

No.	Name	Carbon Steel
1	Body (CS)	ASTM A216 WCB
2	Cap (CS)	ASTM A216 WCB
3	Ball	ASTM A351 CF8
4	Seat	15% Carbon PTFE
5	Stem	SS304
6	Gasket	SS304 / Graphite
7	Body Stud	ASTM A193 B7
8	Body Nut	ASTM A194 2H
9	Thrust Washer	RPTFE
10	Anti-Static	SS316
11	Stem Packing	Graphite
12	Packing Follower	ASTM A216 WCB
13	Packing Gland	ASTM A216 WCB
14	Gland Bolt	Steel
15	Travel Stopper	Gavanized Steel
16	Snap Ring	Steel
17	Handle	ASTM A216 WCB
18	Handle Bolt	Steel
19	Pipe	ASTM A216 WCB
20	Junction Head	ASTM A216 WCB

In addition to WCB body material, Flo-Tite can also supply valves in LCB or LCC

**SPECIFICATION STANDARDS:**

Flanged End      ANSI Class 150/300  
Flanges            ANSI B16.5  
Face to Face      ANSI B16.10  
Shell/Wall         ANSI B16.34

Design Standard API 6D

Federal Spec. MSS-SP-72  
MSS-SP-55

Fire Safe Certified Valves Must Have Graphite Stem Packing to Comply With API 607

Meets NACE MR0175

ISO 9001

All Valves 100% Hydrostatically Pressure Tested in OPEN and CLOSED Positions

Pressure Testing Standard API 6D

Class 150-Shell 425 PSI      Seat (Air) 80 PSI  
Class 300-Shell 1100 PSI      Seat (Air) 80 PSI

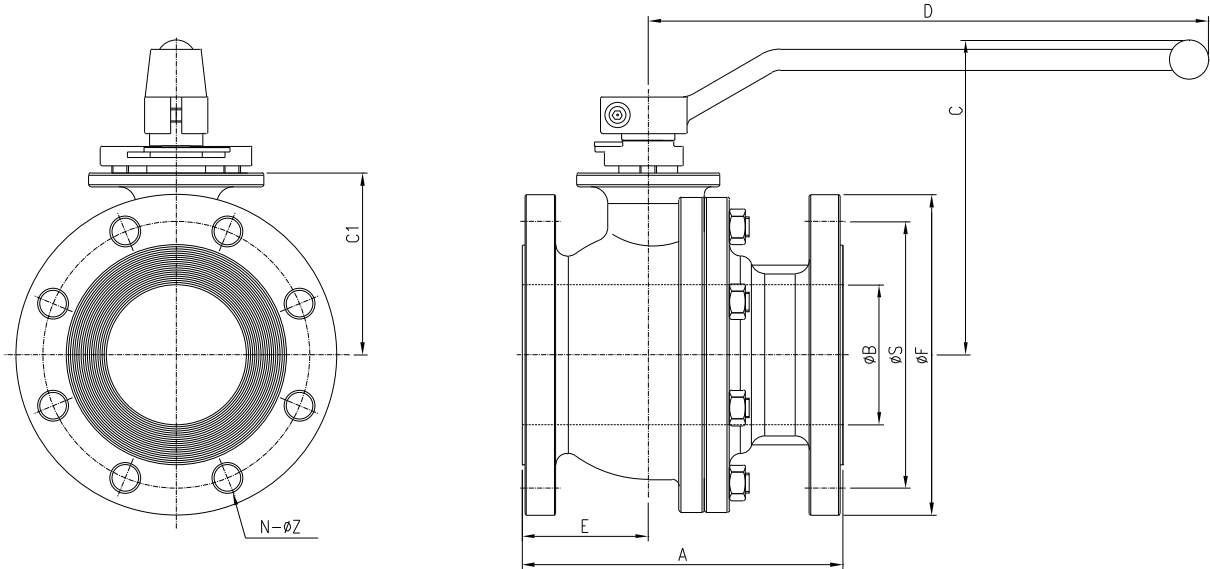
CE Certified

MTR - Material Test Reports Available



FLANGED TYPE BALL VALVE  
FULL PORT MODELS F15/F30  
DIMENSIONS

**RATING**  
**ANSI**  
**150/300 lbs**



**MODEL F15 - ANSI CLASS 150 DIMENSIONS AND WEIGHTS:**

Size	A	B	C	C1	D	E	F	N	S	T	Cv	Torque	Est. Weight
												in-lb	Lbs
2"	7.0	1.97	4.21	3.35	11.81	3.31	6.0	4	4.75	0.62	410	350	26
2.5"	7.5	2.56	5.59	3.90	13.78	3.43	7.0	4	5.50	0.75	780	680	35
3"	8.0	3.15	5.98	4.41	13.78	3.78	7.5	4	6.00	0.75	1120	1200	44
4"	9.0	3.94	7.01	5.12	15.75	3.54	9.0	8	7.50	0.75	1825	1900	61
5"	14.0	4.92	9.92	6.22	23.62	5.94	10.0	8	8.50	0.88	3260	3020	101
6"	15.5	5.91	10.71	7.24	23.62	6.77	11.0	8	9.50	0.88	4700	4800	140

For size 8" - 12", see Tech Bulletin Page 58

**MODEL F30 - ANSI CLASS 300 DIMENSIONS AND WEIGHTS:**

Size	A	B	C	C1	D	E	F	N	S	T	Cv	Torque	Est. Weight
												in-lb	Lbs
2"	8.50	1.97	4.93	3.35	13.78	3.78	6.50	8	5.00	0.75	430	380	33
3"	11.12	2.91	5.98	4.41	13.78	5.16	8.25	8	6.62	0.88	1090	1330	68
4"	12.00	3.94	7.01	5.12	15.75	5.23	10.00	8	7.88	0.88	1825	2100	98
6"	15.88	5.91	10.71	7.24	23.62	7.48	12.50	12	10.62	0.88	4700	5300	205

For size 8" - 12", see Tech Bulletin Page 58

**NOTE:**

- A variety of Special Alloys as well as Special Seating materials are available.
- Sizes 10" thru 24" available C/F

- Weatherproof gear operators are recommended for size 6" and larger valves.
- Consult factory for gear operator dimensions and information.

Customer/Project _____ Size _____	Ordering Code				F15
	FLANGED TYPE BALL VALVE				F30
Inq./P.O. No. _____					
Order No. _____					
Certified Correct By _____ Date _____	Series	Size	Part No.	Material Trim Code	Drawing No.
					<b>F15/F30-14</b>

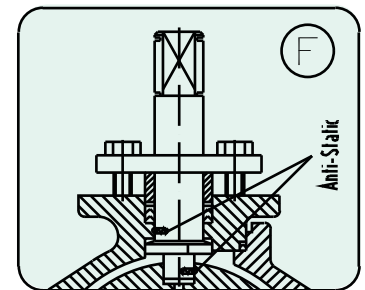
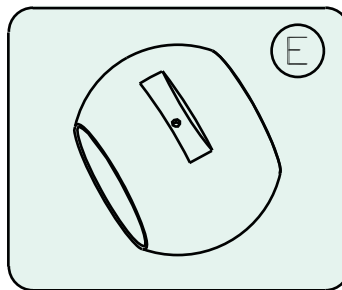
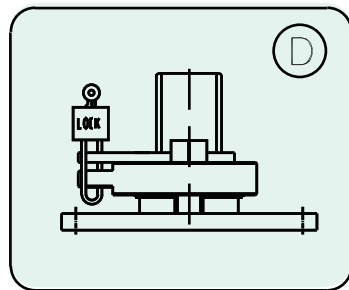
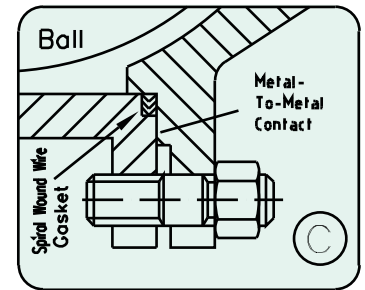
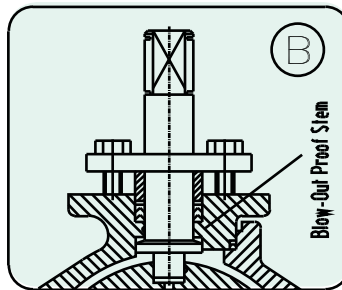
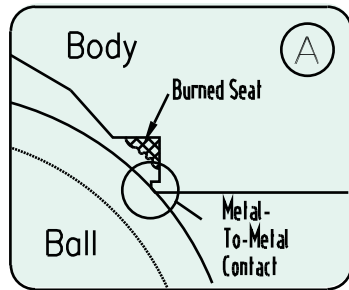
**DESIGN & TECHNICAL DATA**

**IMPRESSIVE DESIGN FEATURES**

- A. Secondary Metal Seating for Fire Safe Design
- D. Anti-tamper Lock for Open or Closed Position

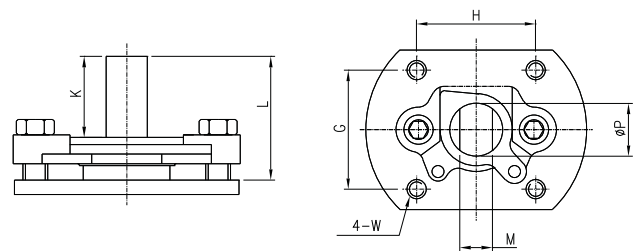
- B. Blow-Out Proof Stem
- E. Pressure Balance Hole

- C. Secondary Metal Body Seal
- F. Anti-Static Grounding



**F15 MOUNTING DIMENSIONS:**

Size	G	H	K	L	M	P	W	ISO
2"	1.95	1.95	0.87	1.57	0.551	0.87	5/16-18unc	F07
2.5"	1.95	1.95	1.10	2.17	0.669	0.94	5/16-18unc	F07
3"	1.95	1.95	1.10	2.17	0.669	0.94	5/16-18unc	F07
4"	2.84	2.84	1.24	2.36	0.748	1.10	1/2-13unc	F10
5"	3.48	3.48	1.32	2.56	1.063	1.57	1/2-13unc	F12
6"	3.48	3.48	1.32	2.56	1.063	1.57	1/2-13unc	F12



**ISO 5211 - Bolting**

All valves have integrally cast mounting pads for ease of mounting automation equipment. This design features four drilled and tapped holes as standard.

**NOTE: Verify the mounting dimensions before manufacturing mounting hardware.**

Other Sizes Consult Factory



Flo-Tite, Inc.  
4815 West 5th St.  
Lumberton, NC 28358

P. O. Box 1293  
Lumberton, NC 28359  
Website: www.flotite.com

Tel: (910) 738-8904  
Fax: (910) 738-9112  
E-mail: flotite@flotite.com

Due to continuous development & improvement of our product range, we reserve the right to alter the dimensions and techcal data included in this brochure