



2PC Full Bore Economical Ball Valve

2PC ECONOFLO SERIES

Model : T80SS

1000 WOG / 150 SWP

316 Stainless Steel

Optional Carbon Steel

Temperature Range:

-20 °F to 450 °F

-46 °C to 232 °C

Size Range:

1/4" - 3"

Threaded Ends



DESIGN FEATURES

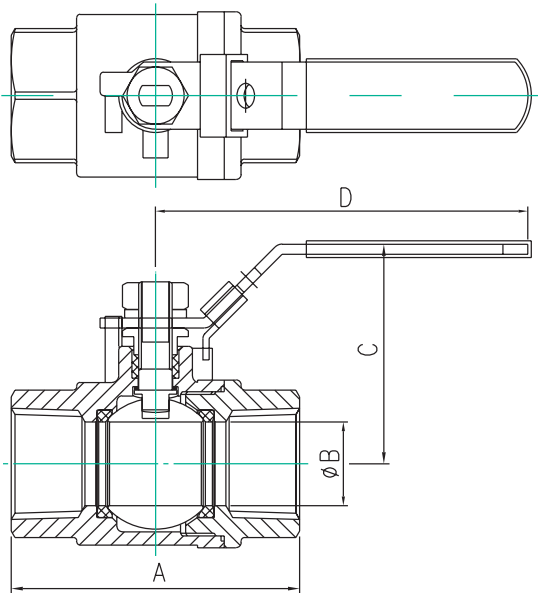
- Full Port - Straight through flow minimizes pressure drop and prolongs valve life
- Internal Entry Blow-out Proof Stem
- Locking Handle - Standard on all valves meets OSHA 1910.147
- Adjustable V-Ring Stem Packing
- Bubble Tight - Zero Leakage

- Investment cast improves dimensional control and reduces porosity
- 2PC Econoflo Series is an ideal general purpose stainless steel valve, meeting plant - wide applications
- Actuator Mounting - Consult Factory

Econoflo Series offers exceptional economy and proven performance

www.flotite.com

T80SS Full Port Ball Valve Design & Technical Data



DIMENSIONS AND WEIGHTS:

SIZE		1/4"	3/8"	1/2"	3/4"	1"	1 1/4"	1 1/2"	2"	2 1/2"	3"
A	inch	1.97	2.05	2.32	2.72	3.15	3.62	4.13	4.84	6.38	6.69
	mm	50	52	59	69	80	92	105	123	150	170
B	inch	0.43	0.43	0.49	0.79	0.98	1.26	1.50	1.97	2.56	2.99
	mm	11	11	12.5	20	25	32	38	50	65	76
C	inch	2.09	2.09	2.09	2.22	2.58	2.80	3.15	3.52	5.06	5.49
	mm	53	53	53	56.5	65.5	71	80	89.5	128.5	139.5
D	inch	3.70	3.70	3.70	3.70	4.37	4.37	5.37	5.37	9.57	9.57
	mm	94	94	94	94	111	111	136.5	136.5	243	243
CV		6	7	10	25	35	46	80	110	310	360
Torque (in-lbf)		36	36	65	80	120	235	290	370	685	810
Weight (lbs)		0.66	0.66	0.79	1.28	2.29	3.39	4.97	8.36	15.0	25.5

*Dimensions are for estimating purpose only
Please consult factory for exact dimensions*

*All valves 100% air tested underwater
at 100 psi Open and Close positions*

BILL OF MATERIALS:

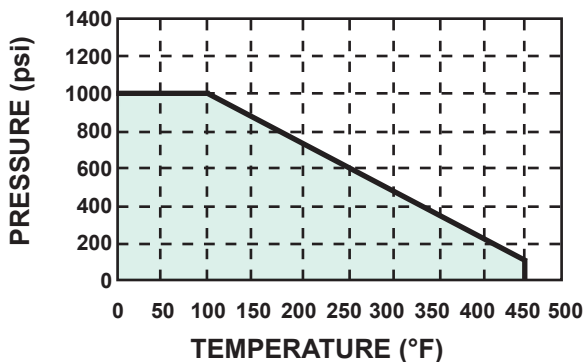
ITEM	NAME	T80SS	T80CS	QTY.
1	BODY	ASTM A351 GR. CF8M	ASTM A216 GR. WCB	1
2	END CAP	ASTM A351 GR. CF8M	ASTM A216 GR. WCB	1
3	BALL	ASTM A276 TYPE316	ASTM A276 TYPE316	1
4	SEAT	RPTFE	RPTFE	2
5	BODY SEAL	PTFE	PTFE	1
6	STEM	ASTM A276 TYPE316	ASTM A276 TYPE316	1
7	THRUST WASHER	RPTFE	RPTFE	1
8	STEM PACKING	RPTFE	RPTFE	2
9	GLAND NUT	ASTM A492 TYPE304	CARBON STEEL	1
10	HANDLE	ASTM A167 TYPE304	CARBON STEEL	1
11	LOCKING DEVICE	ASTM A167 TYPE304	CARBON STEEL	1
12	LEVER SLEEVE	VINYL PLASTISOL	VINYL PLASTISOL	1
13	SPRING WASHER	ASTM A492 TYPE304	CARBON STEEL	1
14	NUT	ASTM A492 TYPE304	CARBON STEEL	1

Conforms to:
Federal Specification WW-V-35B
Type II, Class C. Style 3

Pipe Thread in accordance with
ANSI B2 NPT

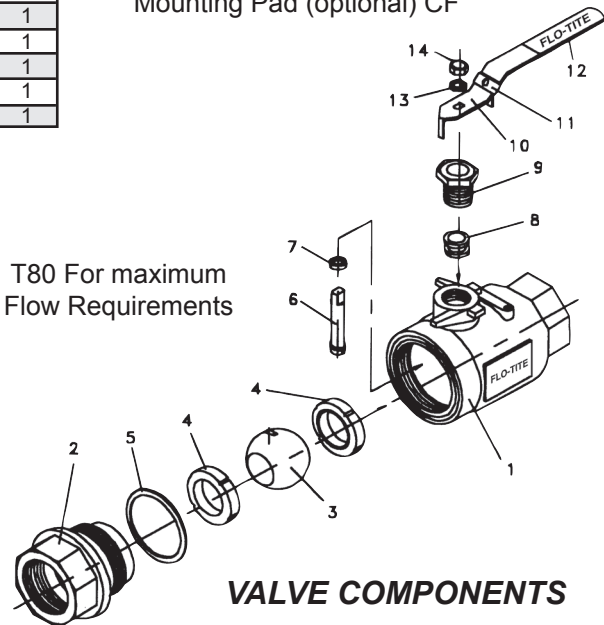
Drilled and Tapped Actuator
Mounting Pad (optional) CF

PRESSURE AND TEMPERATURE DATA



PRESSURE RATING: 1000 WOG

T80 For maximum
Flow Requirements



VALVE COMPONENTS