



Multi-Port 3-Way Flanged Ball Valves

BOTTOM ENTRY SERIES

Diverter Design

STANDARD PORT - ONE PIECE BODY

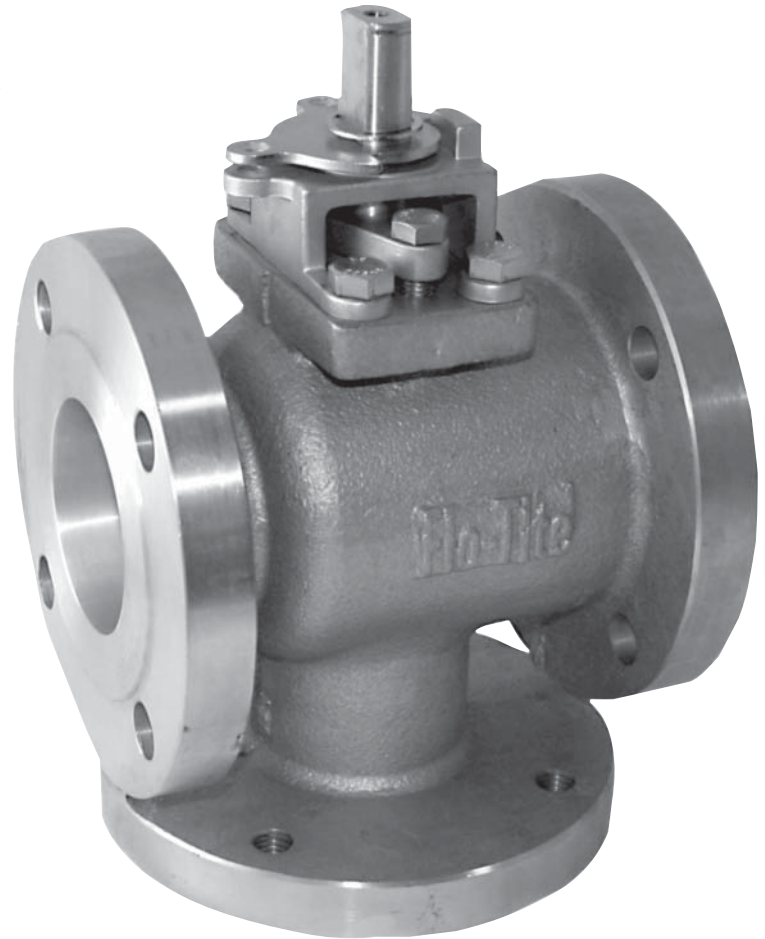
Model No. MPF155

ANSI Class 150

Size: 2" - 6"

Stainless or Carbon

Flo-Tite's Bottom Entry Series provides piping system engineers greater design flexibility. Making the flo-tite valve a valuable choice for a multitude of unique applications.



DESIGN FEATURES

Flo-Tite's Bottom Entry Series 3-way ball valves feature a floating ball design with the valve stem on center between the flanged ends. Dimensionally direct replacements for non-lubricated plug valves, the compact size, lower weight, ease of maintenance and reduced cost of these ball valves offer an excellent alternative to the traditional plug valve. The one piece bodies are constructed of high quality Carbon Steel or Stainless Steel as standard. Special body alloys are also available, upon request.

Other features include replaceable seats and seals, and an optional Media Containment unit. Live-loaded, self-

adjusting stem seals automatically adjust to compensate for changes in temperature and wear.

Available Fire Safe Design. All Bottom Entry Series valves can meet fire safe standards for external leakage only. Additional safety features include internally loaded blow-out proof stems and locking devices to prevent accidental movement of ball position.

Optional Metal Seated Valves are available. Consult Factory.

FLOW - PATTERNS

L Port, Plan - O 90°



L Port, Plan - P 180°



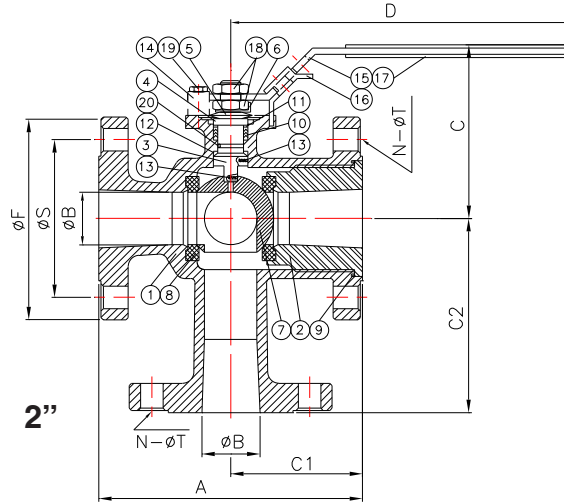
Other Special Flow Plan Are Available, Consult Factory

One Piece Body Adds Strength, Minimizing Potential Leakage

DIMENSIONS AND TECHNICAL DATA

BOTTOM ENTRY SERIES Model MPF 155

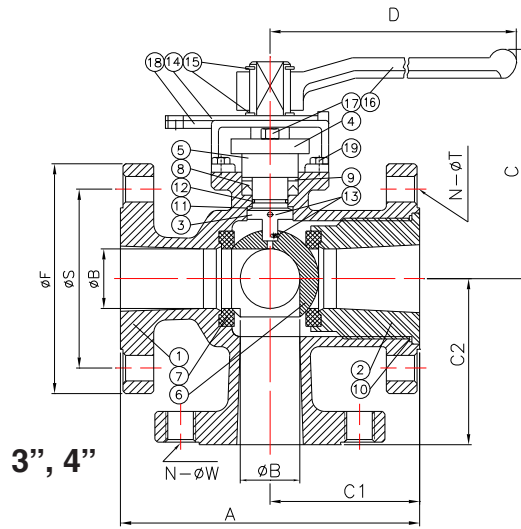
3 Way Diverter Ball Valve



BILL OF MATERIALS, 3" & 4"

No.	Name	Stainless Steel	Carbon Steel
1	Body	ASTM A351 CF8M	ASTM A216 WCB
2	Insert	ASTM A351 CF8M	ASTM A216 WCB
3	Stem	SS316	SS316 / SS304
4	Packing Gland	ASTM A351 CF8	ASTM A351 CF8
5	Packing Follower	SS304	SS304
6	Ball	SS316	SS316 / SS304
7	Seat	* TFM	TFM
8	Stem Packing	* TFM / Graphite	TFM / Graphite
9	Packing Protector*	50%PTFE+SS316	50%PTFE+SS316
10	Gasket	* RPTFE / Graphite	RPTFE / Graphite
11	Thrust Washer	* 25%Carbon+TFM	25%Carbon+TFM
12	O-Ring	* Viton	Viton
13	Anti-Static	SS304	SS304
14	Travel Stopper	SS304	Steel
15	Snap Ring	Plated Steel	Plated Steel
16	Handle	Ductile Iron	Ductile Iron
17	Gland Bolt	SS304	Steel
18	Stop Housing	SS304	SS304
19	Housing Bolt	SS304	SS304
20	Handle Set Screw	Steel	Steel

* Recommended spare parts



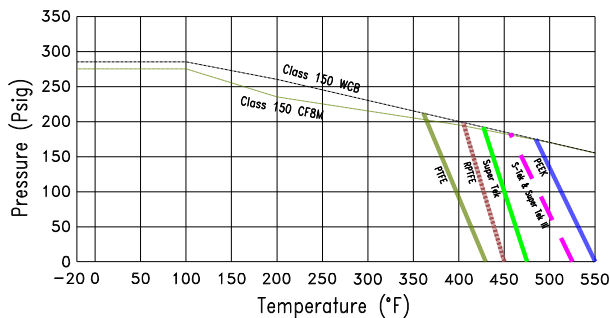
Bottom flange bolt holes are dilled and tapped

Dimensions and Weights

Size	A	B	C	C1	C2	D	F	N	S	T	W	Cv	Torque in-lb	Est. Weight Lbs
2"	7.00	1.50	4.20	3.50	4.50	10.4	6.00	4	4.75	0.75	n/a	48	284	24
3"	8.00	2.56	6.22	4.00	6.00	15.4	7.50	4	6.00	0.75	5/8-11unc	170	651	51
4"	9.00	3.00	6.38	4.50	7.15	15.4	9.00	8	7.50	0.75	5/8-11unc	420	840	70

Consult Factory for Class 300 and Larger Sizes

Pressure/Temperature Chart



NOTE:

1. Other valve sizes on application.
2. Other seat materials are available.
3. Valves can accept line media through bottom inlet only.
4. Valves with "L port 90° ball turn" can be actuated with a standard 90° actuator
5. Smaller sizes available in bottom flow series.

BILL OF MATERIALS, 2"

No.	Name	Stainless Steel	Carbon Steel
1	Body	ASTM A351 CF8M	ASTM A216 WCB
2	Insert	ASTM A351 CF8M	ASTM A216 WCB
3	Stem	SS316	SS316 / SS304
4	Packing Follower	SS304	SS304
5	Belleville Washer	SS301	SS301
6	Lock Washer	SS304	SS304
7	Ball	SS316	SS316 / SS304
8	Seat	* TFM	TFM
9	Gasket	* RPTFE / Graphite	RPTFE / Graphite
10	Stem Packing	* TFM / Graphite	TFM / Graphite
11	Packing Protector*	50%PTFE+SS316	50%PTFE+SS316
12	Thrust Washer	* 25%Carbon+TFM	25%Carbon+TFM
13	Anti-Static	SS304	SS304
14	Valve Stop	SS304	SS304
15	Handle	SS304	SS304
16	Locking Device	SS304	SS304
17	Handle Sleeve	Plastic	Plastic
18	Thin Nut	SS304	SS304
19	Bolt	SS304	Carbon Steel
20	O-Ring	* Viton	Viton

* Recommended spare parts

FLOW - PATTERNS

L Port, Plan - O 90°



L Port, Plan - P 180°



Other Special Flow Plans
Are Available, Consult
Factory

Consult Factory for
Larger Sizes

6. Valves with "L port 180° ball turn" require a special 180° actuator.
7. The 3-way ball/seat closure is effective only at the two end ports, line media should enter through the bottom port.
8. Transflow problems can be eliminated with this bottom entry diverter design, 180° turn.



Flo-Tite, Inc.
4815 West 5th St.
Lumberton, NC 28358

P. O. Box 1293
Lumberton, NC 28359
Website: www.flotite.com

Tel: (910) 738-8904
Fax: (910) 738-9112
E-mail: flotite@flotite.com