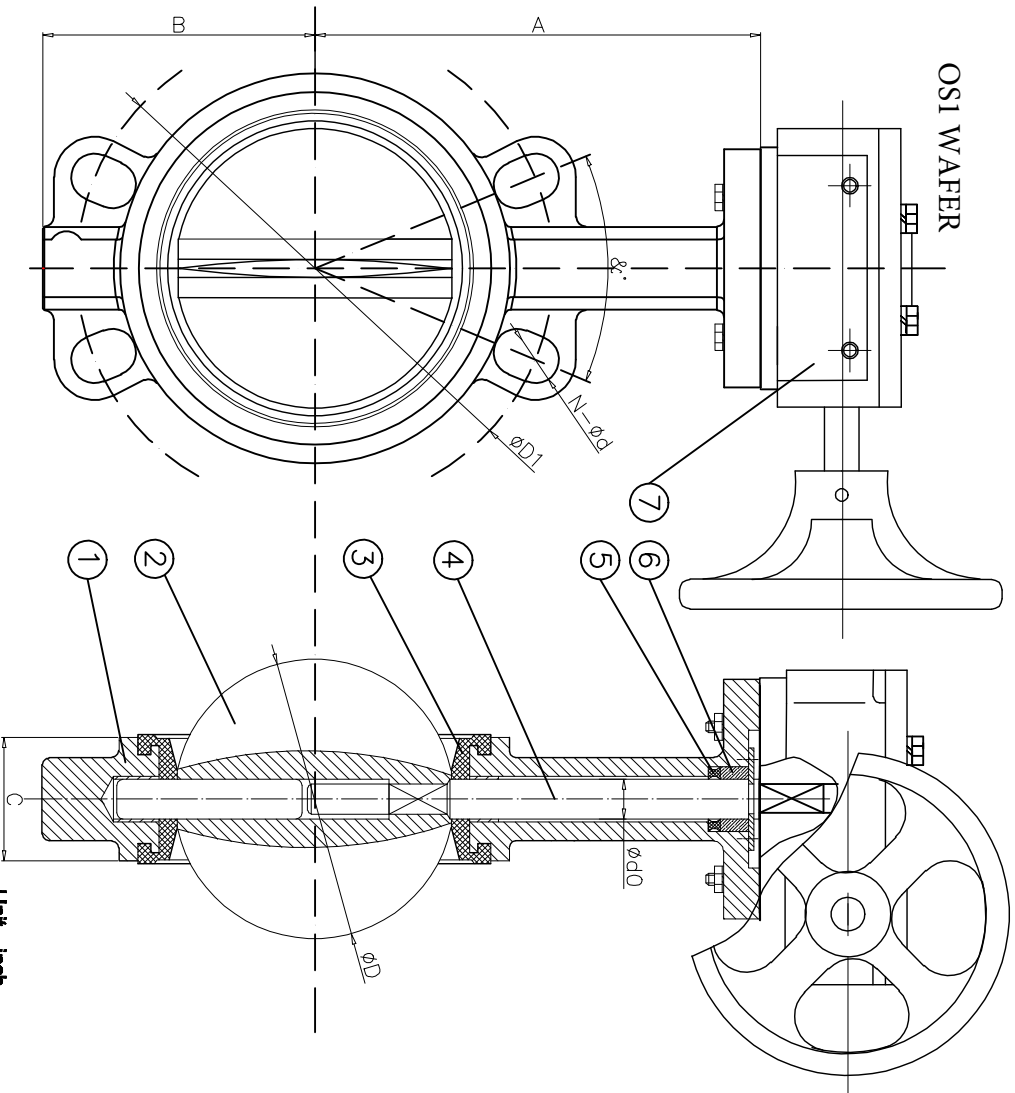
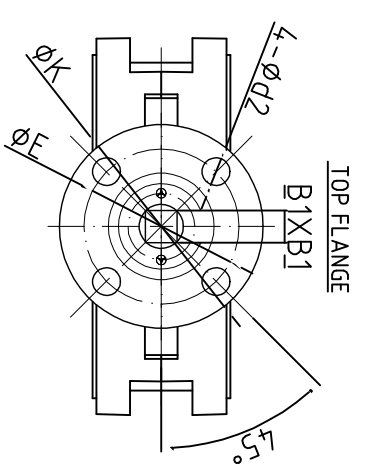
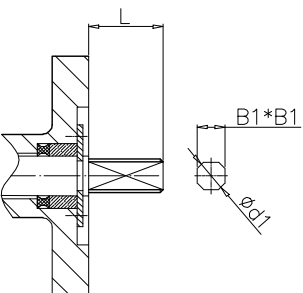


OS1 WAFER



SIZE	A	B	C	D	d0	d1	ISO5211	K	E	L	D1	4-ø	ø	B1
15"	4.72	2.24	1.30	1.65	0.50	0.50	F05	2.56	1.97	0.28	1.02	4-0.63	90°	0.43
2"	5.51	2.56	1.69	2.08	0.50	0.50	F05	2.56	1.97	0.28	1.02	4-0.75	90°	0.43
2.5"	5.91	2.95	1.81	2.54	0.50	0.50	F05	2.56	1.97	0.28	1.02	4-0.75	90°	0.43
3"	6.22	3.66	1.81	3.10	0.50	0.50	F05	2.56	1.97	0.28	1.02	4-0.75	90°	0.43
4"	6.93	4.25	2.05	4.09	0.62	0.61	F07	3.54	2.76	0.39	1.18	4-0.75	45°	0.43
5"	7.48	4.92	2.20	4.85	0.74	0.74	F07	3.54	2.76	0.39	1.18	4-0.88	45°	0.55
6"	8.31	5.32	2.20	6.11	0.74	0.74	F07	3.54	2.76	0.39	1.18	4-0.88	45°	0.55
8"	9.25	6.69	2.36	7.97	0.87	0.87	F10	4.92	4.02	0.47	1.50	4-0.88	45°	0.67
10"	10.43	8.07	2.68	9.86	1.12	1.10	F10	4.92	4.02	0.47	1.50	4-1.00	30°	0.87
12"	12.00	9.37	3.07	11.87	1.24	1.10	F10	4.92	4.02	0.47	1.50	4-1.00	30°	0.87

Unit: Inch



NO.	PARTS NAME	MATERIAL	QTY	SEAL
7	GEAR	CAST IRON	1	
6	BUSHING	PTFE	4	
5	O-RING	NBR	1	
4	STEM	SS410	2	
3	SEAT	EPDM/NBR/VITON	1	
2	DISC	DI/CF8/CF8M/Al-Bronze	1	
1	BODY	C/DI	1	

TEST PRESSURE	SHELL	SEAL
AIR		
HYDROSTATIC	225 PSI	165 PSI

STANDARD	DESIGN CODE	AP1609
	INSPECTION & TEST	API598
	END STANDARD	ANSI 150LB
	FACE TO FACE	API609

TITLE : WAFER BUTTERFLY VALVE	
DN4.0-DN300	
APPROVED	DWG NO.
CHECKED	OS1 WAFER
DRAWN	SCALE
DESIGNED	UNIT
	mm
	REV